

Product Manual

EKWIN ELECTRONICS CO.,LTD

EK TN1215

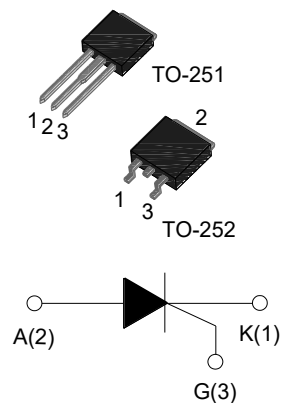
www.ekwin.net

 12A SCRs

TN1215 Serial

Main Features:

IT(RMS)	VDRM/VRRM	VTM
12 A	600V and 800 V	≤1.7 V



Description:

High current density due to singel mesa technology.TN1215 series of silicon controlled rectifiers are specifically designed for medium power switching and phase control applications. TN1215 series are suitable for general purpose applications.a high gate sensitivity is required .

Absolute Ratings(limiting values) :

Symbol	Parameter	value	Unit
IT(RMS)	on-state RMS current(180°C conduction angle)	12	A
ITSM	Non repetitive surge peak on-state current (Tj= 25 °C)	tp= 8.3 ms	110
		tp = 10 ms	100
VDRM	Repetitive peak off-state voltage(Tj =25°C)	600 and 800	V
VRRM	Repetitive peak reverse voltage(Tj =25°C)	600 and 800	V
Tstg Tj	Storage and operating junction temperature range	- 40 to + 150 - 40 to + 125	°C
I²t	I²t value for fusing Tj = 125°C	tp = 10 ms	50
di/dt	Critical rate of rise of on-state current IG=2xIGT, tr≤100ns	50	A/μs
IGM	Peak gate current tp=20us Tj=125°C	2	A
PGM	Peak gate power tp=20us Tj=125°C	5	W
PG(av)	Average gate power dissipation Tj=125°C	0.5	W

Electrical Characteristics :

Symbol	Test Condition	range	Value	Unit	
I_{GT}	V _D =12V R _L =3.3kΩ	T _j =25°C	MAX	15	mA
V_{GT}		T _j =25°C	MAX	1.5	V
V_{GD}	V _D =V _{DRM} R _L =3.3kΩ	T _j =125°C	MIN	0.2	V
t_{gt}	V _D =V _{DRM} I _G = 500mA dI _G /dt = 0.2A/μs	T _j =25°C	TYP	2	μs
I_L	V _D =12V I _{GT} = 0.1 A	T _j =25°C	TYP	40	mA
I_H	I _T = 500mA gate open	T _j =25°C	MAX	30	mA
V_{TM}	I _{TM} = 2*I _{T (RMS)} tp=380μs	T _j =25°C	MAX	1.7	V
I_{DRM} I_{RRM}	V _D =V _{DRM} , V _R =V _{RRM}	T _j =125°C	TYP	10	μA
		T _j =125°C	MAX	0.5	mA
dV_D/dt	V _D =67%V _{DR} exponential waveform; R _{GK} = 100 Ω	T _j =125°C	TYP	200	V/μs

Thermal Resistances :

Symbol	Parameter		Value	Unit
R_{th (j-mb)}	Thermal resistance from junction to mounting case	TO-252\251	2.0	°C/W

FIG.1 Maximum power dissipation versus RMS on-state current

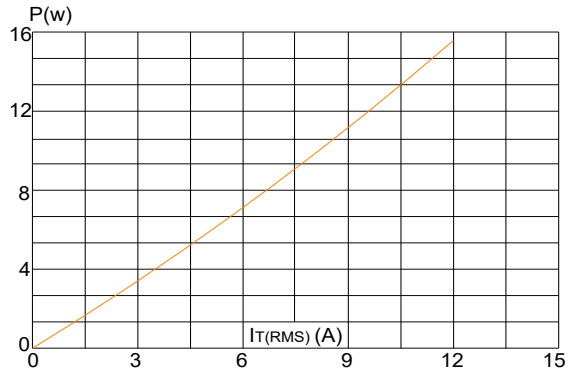


FIG.2: RMS on-state current versus case temperature

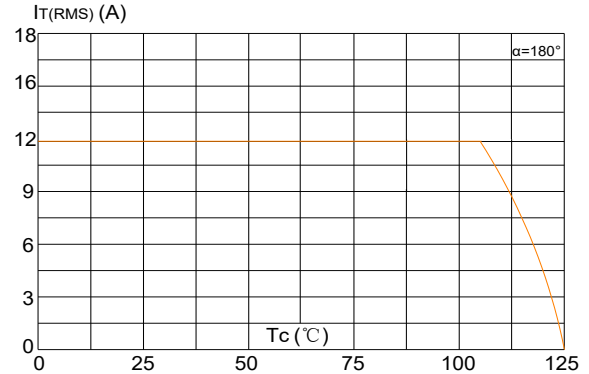


FIG.3: Surge peak on-state current versus number of cycles

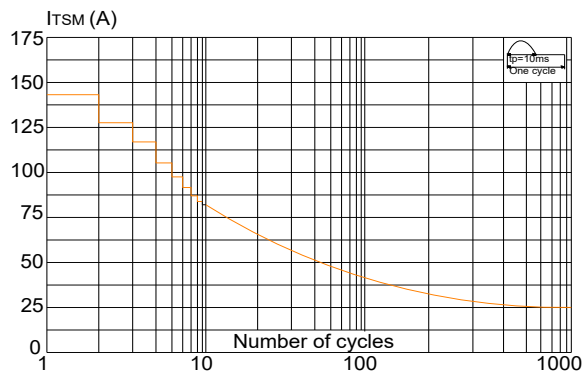


FIG.4: On-state characteristics (maximum values)

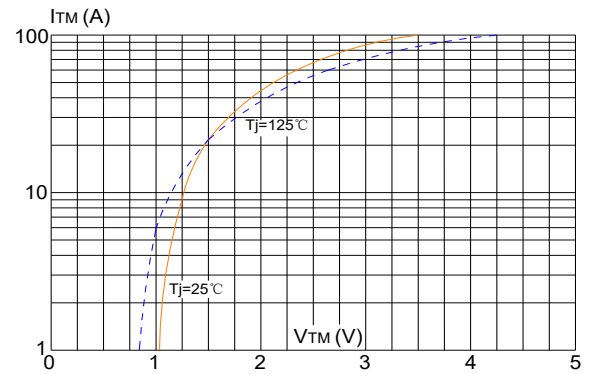


FIG.5: Non-repetitive surge peak on-state current for a sinusoidal pulse with width $t_p < 10\text{ms}$, and corresponding value of I^2t ($di/dt < 50\text{A}/\mu\text{s}$)

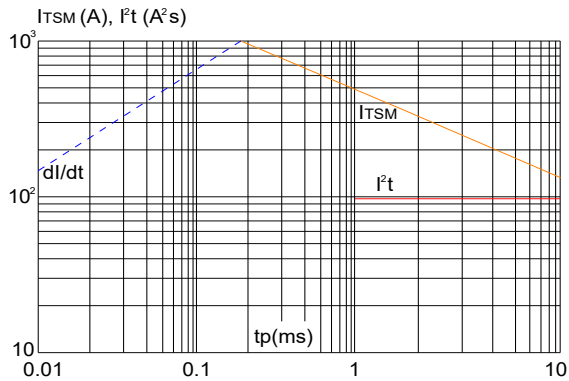
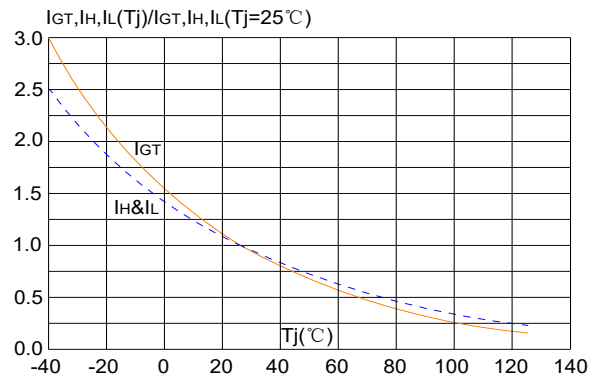
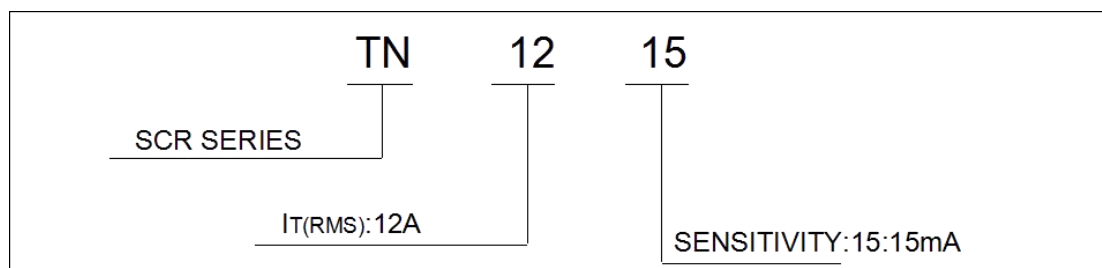


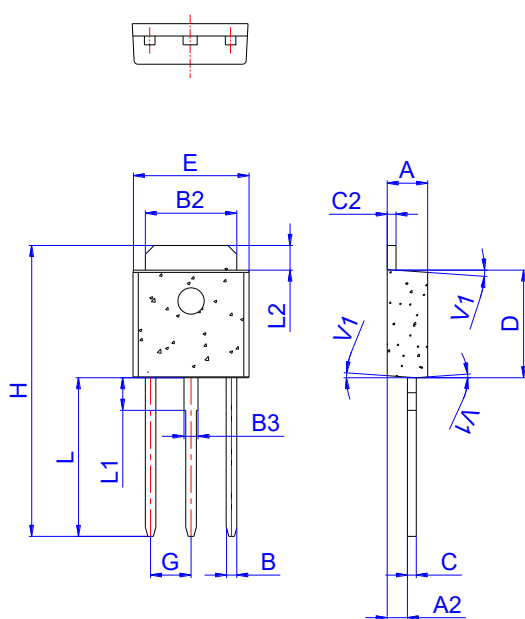
FIG.6: Relative variations of gate trigger current, holding current and latching current versus junction temperature



Ordering Information

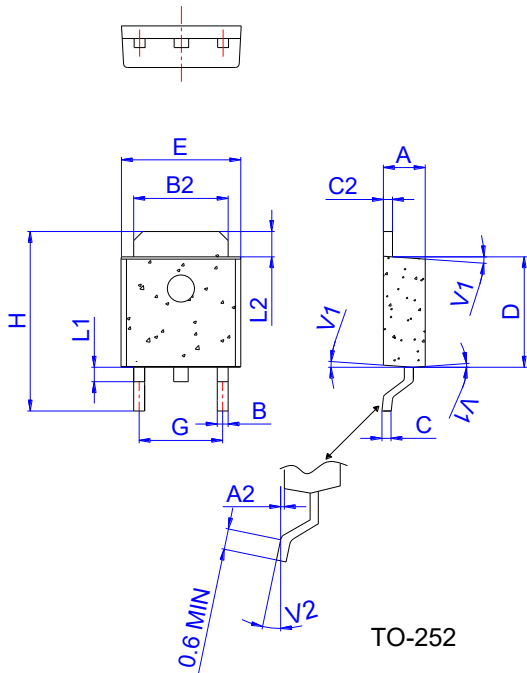


Package Mechanical Data :

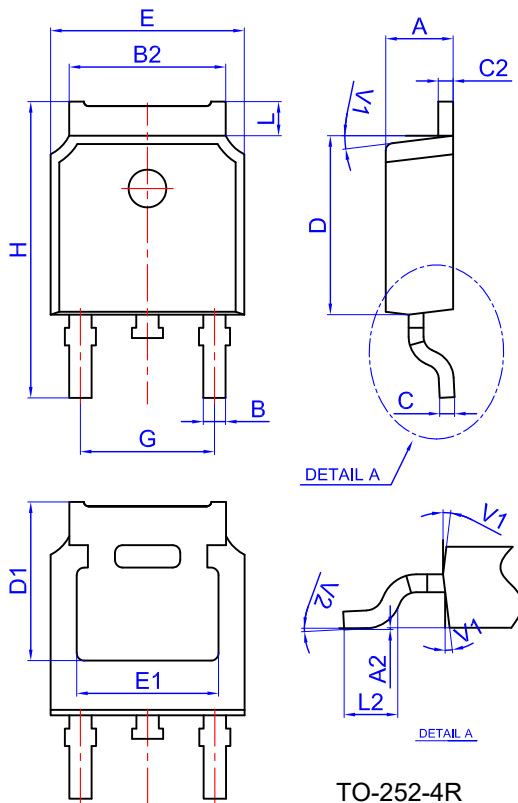


TO-251

Ref.	Dimensions					
	Millimeters			Inches		
	Min.	Typ.	Max.	Min.	Typ.	Max.
A	2.20		2.40	0.086		0.095
A2	0.90		1.20	0.035		0.047
B	0.55		0.65	0.022		0.026
B2	5.10		5.40	0.200		0.213
B3	0.76		0.85	0.030		0.033
C	0.45		0.62	0.018		0.024
C2	0.48		0.62	0.019		0.024
D	6.00		6.20	0.236		0.244
E	6.40		6.70	0.252		0.264
G		2.30			0.091	
H	16.0		17.0	0.630		0.669
L	8.90		9.40	0.350		0.370
L1	1.80		1.90	0.071		0.075
L2	1.37		1.50	0.054		0.059
V1		4°			4°	



Ref.	Dimensions					
	Millimeters			Inches		
	Min.	Typ.	Max.	Min.	Typ.	Max.
A	2.20		2.40	0.086		0.095
A2	0.03		0.23	0.001		0.009
B	0.55		0.65	0.022		0.026
B2	5.10		5.40	0.200		0.213
C	0.45		0.62	0.018		0.024
C2	0.48		0.62	0.019		0.024
D	6.00		6.20	0.236		0.244
E	6.40		6.70	0.252		0.264
G	4.40		4.70	0.173		0.185
H	9.35		10.6	0.368		0.417
L1	1.30		1.70	0.051		0.067
L2	1.37		1.50	0.054		0.059
V1		4°			4°	
V2		0°	8°		0°	8°



Ref.	Dimensions					
	Millimeters			Inches		
	Min.	Typ.	Max.	Min.	Typ.	Max.
A	2.10		2.50	0.083		0.098
A2	0		0.10	0		0.004
B	0.66		0.86	0.026		0.034
B2	5.18		5.48	0.202		0.216
C	0.40		0.60	0.016		0.024
C2	0.44		0.58	0.017		0.023
D	5.90		6.30	0.232		0.248
D1	5.30REF			0.209REF		
E	6.40		6.80	0.252		0.268
E1	4.63			0.182		
G	4.47		4.67	0.176		0.184
H	9.50		10.70	0.374		0.421
L	1.09		1.21	0.043		0.048
L2	1.35		1.65	0.053		0.065
V1		7°			7°	
V2		0°	6°		0°	6°